



**PETROTECH ENGINEERS**

## **SIDE MOUNTED MAGNETIC FLOAT LEVEL SWITCH**



**CONTACT: PETROTECH ENGINEERS**

Web- [www.Petrotechengineers.com](http://www.Petrotechengineers.com)

Email- [info@petrotechengineers.com](mailto:info@petrotechengineers.com)

# SIDE MOUNTED MAGNETIC FLOAT LEVEL SWITCH

## PRODUCT DESCRIPTION

Petrotech Side Mounted magnetic float level switch consists of Float mounted at one end of rigid rod moves with change in level, magnetic capsule at other end of rod moves accordingly within fixed limits switch contacts across the face change accordingly.

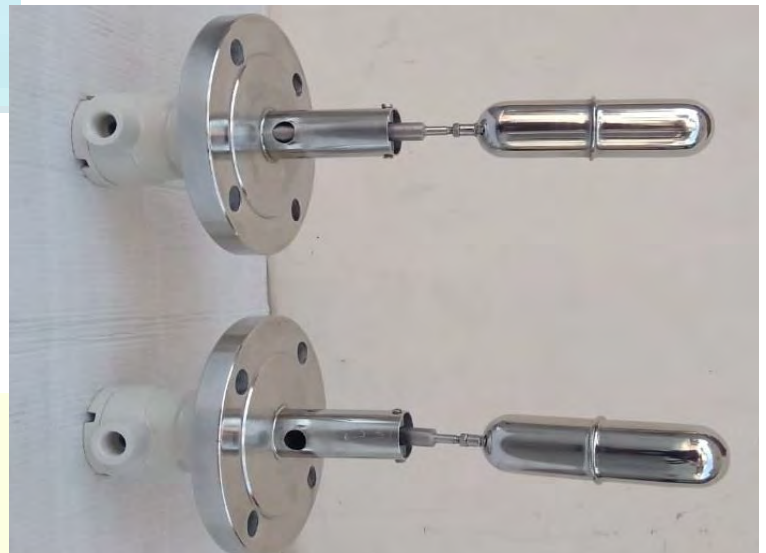
As the tank fills up the float lifts up due to buoyancy. The other end of the float which is magnetic in nature goes down and during its downward motion, triggers the switch assembly and the contacts get closed, which can be used to operate an alarm or any other audio/visual load.

## APPLICATION

- Alarms for hydro-pneumatic tanks
- Chemical processing equipment
- Alarms for hydro-pneumatic tanks
- Ship building industry
- water treatment plan
- food
- Pharmaceuticals

## FEATURES

- reed switch Rugged construction
- Easy installation
- Easy replacement of electrical assembly



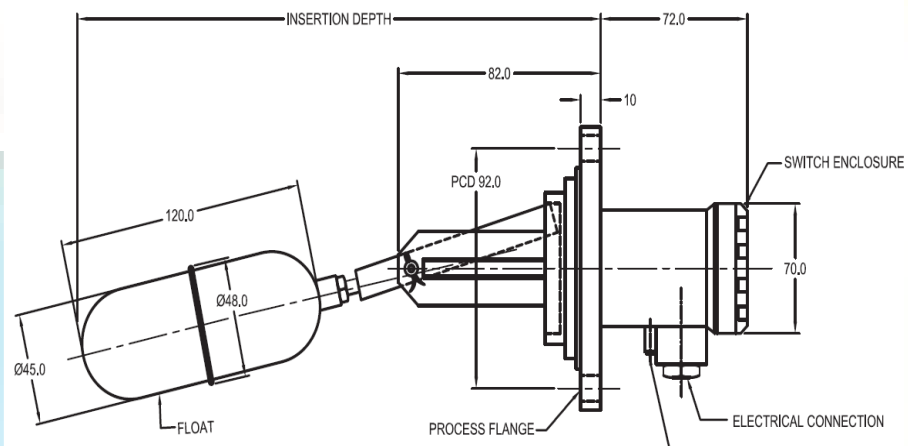
## TECHNICAL SPECIFICATION

Housing Material	: Die Cast Aluminum
Ingress Protection	: IP 65
Process Connection	: Flanged, Screwed
Material of Wetted Parts	: AISI SS 316
Insertion Depth	: 215 mm (Standard),
Cable entry	: ½" BSP (F)
Switch Type	: Micro Switch
Switch differential	: 15 mm
Switch Rating	: 5 A / 250 AC / 24 V DC

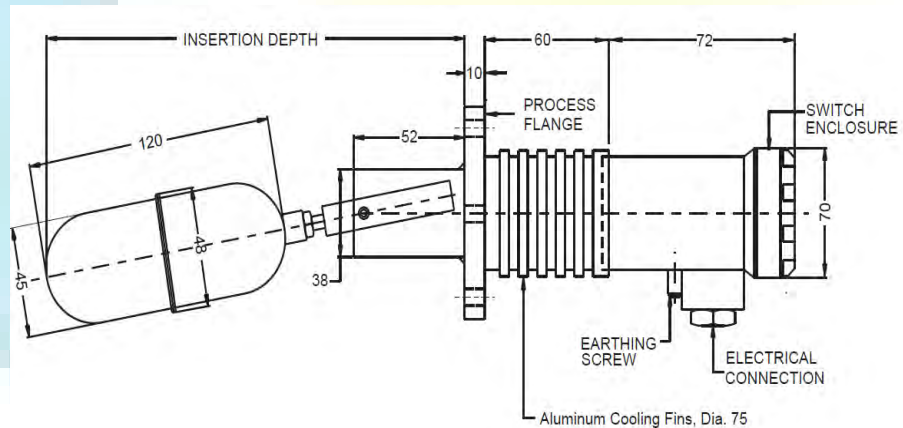
# SIDE MOUNTED MAGNETIC FLOAT LEVEL SWITCH

- Minimum Specific Gravity : 0.55
- Maximum Operating Temp : -10 Deg C to +180 Deg C
- Maximum Operating Press : 18 Kg/cm<sup>2</sup>

## Type – PE-150- General Purpose



## Type – PE-350-High Temp 350 Deg C



## SIDE MOUNTED MAGNETIC FLOAT LEVEL SWITCH

### SIDE MOUNTED MAGNETIC FLOAT LEVEL SWITCH

SR.NO	SELECTION	SUFFIX CODES	DESCRIPTION
1	<b>Level Switch Model</b>		
		SMLS - 150	Top mounted level switch
2	<b>Type</b>		
		PE- 150	General Purpose
		PE- 350	High Temperature
3	<b>Insertion Depth</b>		
		A	215
4	<b>Housing Material</b>		
		AL	Die Cast Aluminum Wetherproof to IP 65
		ALF	Die Cast Aluminum Suitable For Gas Group IIA/IIB
		S6	SS 316
5	<b>Switching output</b>		
		1	1 SPDT
		2	2 SPDT
6	<b>Process Connection</b>		
		1	92 mm PCD Square Flange
		2	92 mm PCD Round Flange
		3	92 mm PCD Forge Square Flange
		4N	1 1/2" NPT
		5N	2" NPT
		B39	2" 150# RF
		B40	2" 300# RF
		B45	2 1/2" 150# RF
		B46	2 1/2" 300# RF
		B51	3" 150# RF
		B52	3" 300# RF
		C33	4" 150# RF
		C34	4" 300# RF

## SIDE MOUNTED MAGNETIC FLOAT LEVEL SWITCH

	Options		
7		PC	PTFE Coating (up to 150 Deg C)
		MF	Matching Flange
		SX	SS Tag Plate
		PF	PP Float

Ordering Example:

SMLS - 150-PE-150-A-AL-1-B39

Note : Due to continuous improvement, the specification may vary from time to time.

For non standard products/optional items, please contact factory for delivery and minimum quantity of order.



## **Petrotech Engineers**

Office: 485-486/ A-3

Makarpura GIDC

Vadodara – 390010. Gujarat. India

Website: [www.petrotechengineers.com](http://www.petrotechengineers.com)

Email : [info@petrotechengineers.com](mailto:info@petrotechengineers.com)