



**PETROTECH ENGINEERS**

## ***FLOAT AND DIAL LEVEL GAUGE***



**CONTACT: PETROTECH ENGINEERS**

Web- [www.Petrotechengineers.com](http://www.Petrotechengineers.com)

Email- [info@petrotechengineers.com](mailto:info@petrotechengineers.com)

# FLOAT AND DIAL LEVEL GAUGE

## GENERAL DESCRIPTION

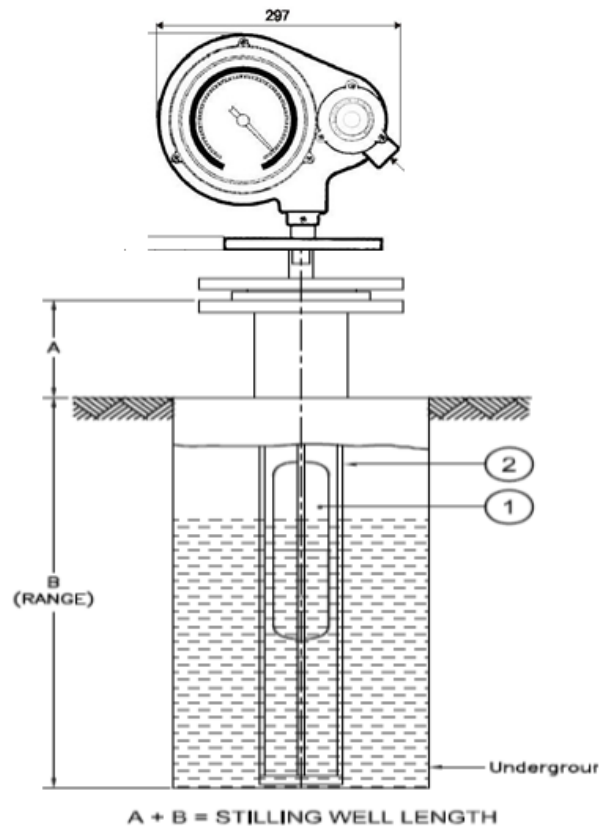
Petrotech Dial type Level gauge suitable for liquids in underground and partially underground tanks.

**Analog Indicator** - It consists of a float, clamped to a SS wire rope, the other end of which is wound on a drum, carrying constant torque spring housed in WP IP66 enclosure, to maintain the rope under tension. Due to change in liquid level, the float rises or falls and rotates the drum. This motion is transmitted through a gear mechanism to a pointer moving over a calibrated dial to display level in meters. Two adjustable switches with or without 4-20mA transmitter can be provided optionally.

**Digital Indicator** - The construction is similar to analog except, constant torque spring is housed in Ex-d enclosure and the gear motion induces a change in variable voltage signal to give 4-20 mA output & digital level indication in %, mm, cm or mtrs.

## FEATURES

- Easy to installation
- Suitable for locations having limited headroom
- Can be retrofitted on existing tanks
- Choice of analog (IP66) & digital (Ex-d Gr. IIB) indicator
- Choice of max. two alarm switches & Transmitter (analog)



## GENERAL SPECIFICATION

### Analog Indicator

<b>Range</b>	: 0-1, 0-2, 0-3, .....or 0-10mtrs
<b>Dial Enclosure</b>	: Cast Al, SS 304, SS316
<b>Terminal Enclosure</b>	: Cast Al, SS 304, SS316
<b>Cable Gland</b>	: PG9, Polyamide
<b>Calibrated Dial</b>	: Al, White Powder Coated with Black Graduations & Numerical
<b>Pointer</b>	: Red Powder Coated
<b>Accuracy</b>	: +/- 10 mm

# FLOAT AND DIAL LEVEL GAUGE

## Adjustable Alarm Switches (Optional)

Switch type : Micro Switch- SPST,SPDT  
Rating : 5A, 250VAC

## Transmitter (Optional)

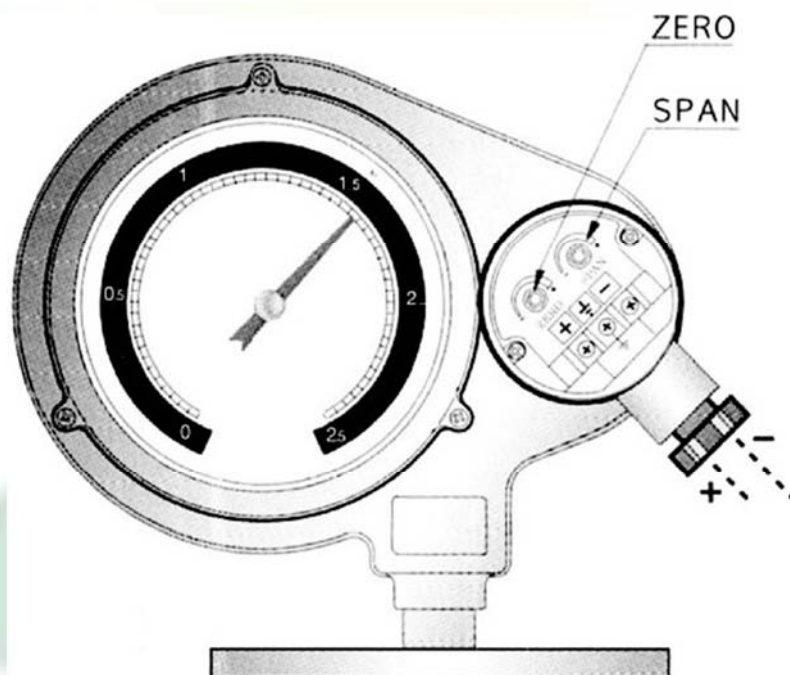
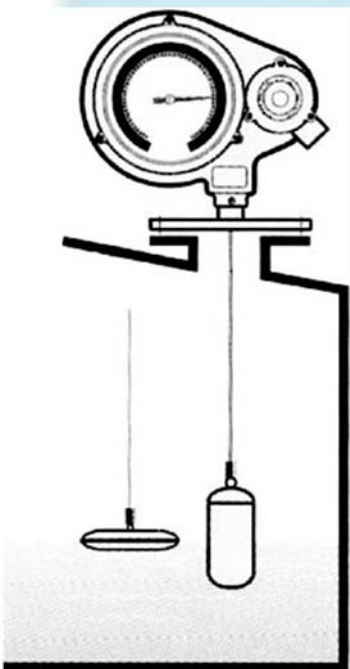
Supply : 24 VDC  
Output : 4-20 mA  
Accuracy : +/- 2% FS

## Digital Indicator

Range : 0-10 Mtrs  
Dial Enclosure : Cast Al. Ex-d Gr.IIB  
Cable Gland : 1/2" NPT  
Display : 4 Digits, 7 Segment LED(1")  
Programming : Throught Keypad  
Accuracy : +/- 2% FS  
Supply : 24VDC  
Output : 4-20mA (4 Wire)

## Accessories

Stilling Well : 3"NB pipe, with 4"NB ANSI 150 # flange in CS,  
SS304/316 or PP Still well :





## **Petrotech Engineers**

Office: 485-486/ A-3

Makarpura GIDC

Vadodara – 390010.Gujarat. India

Website: [www.petrotechengineers.com](http://www.petrotechengineers.com)

Email : [info@petrotechengineers.com](mailto:info@petrotechengineers.com)